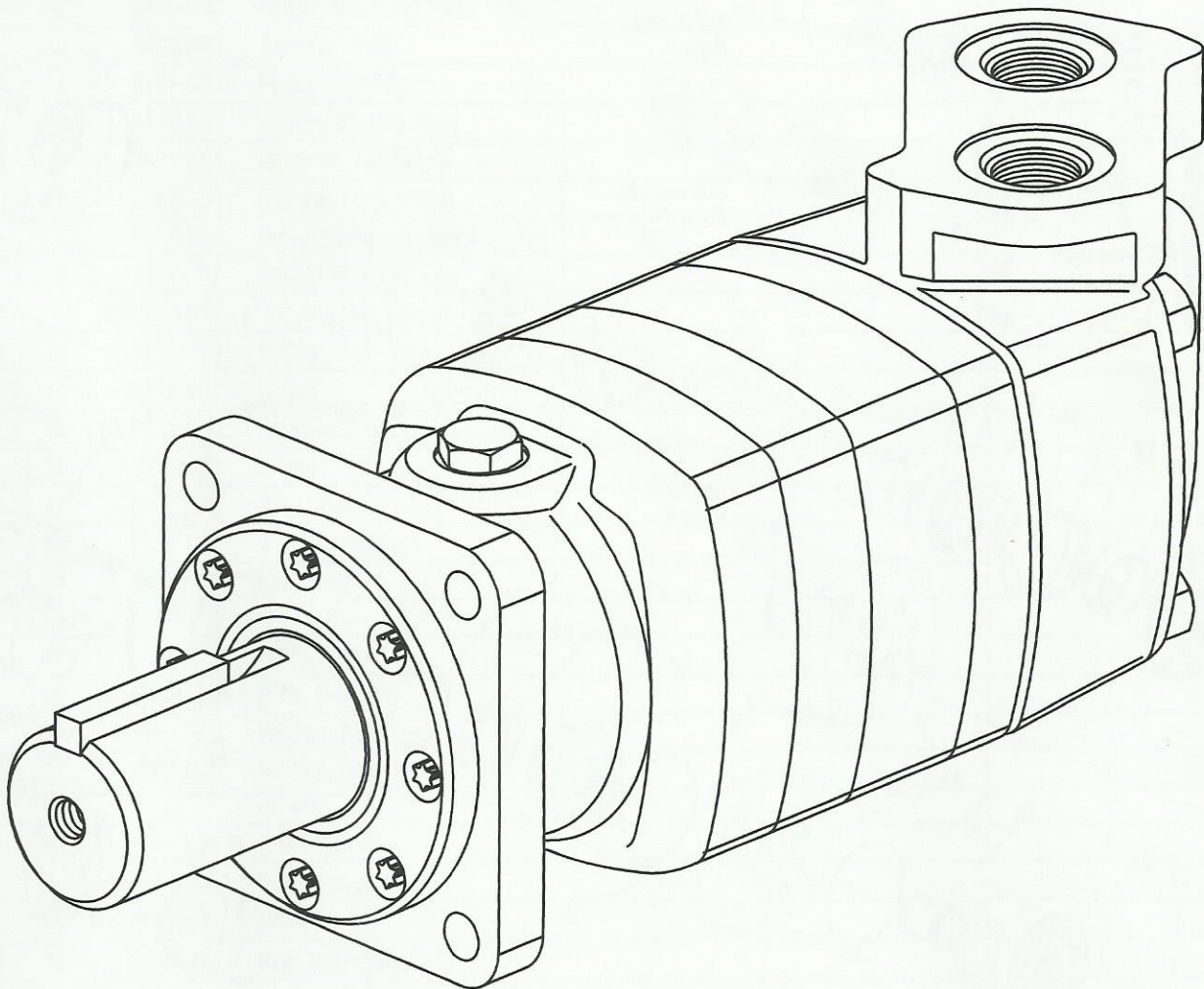


**Char-Lynn<sup>®</sup>**  
Disc Valve Hydraulic Motors

No. 6-119  
October, 1997



**Parts Information**



**10,000 Series**  
**Geroler<sup>®</sup> Motors**

**002 003 004**



# 10,000 Series Geroler Motor

## 10,000 Series Parts List

Ref. No.	Part Number	Description	Quantity Per Unit			
			Standard	Wheel	Bearingless	
1	8484-000	Shaft S/A (2-1/4 in. Str. w/o Thread)	1	1	—	
	14395-016	Key (Str. Shaft)	1	1	—	
	8483-000	Shaft S/A (2-1/4 in. Tapered)	1	1	—	
	14396-012	Key (Tapered Shaft)	1	1	—	
	6340-000	Nut (Tapered Shaft)	1	1	—	
	8482-000	Shaft S/A (2-1/8 in. 30° 16T Involute Spline)	1	1	—	
2	8918-000	Flange, Mounting /Wear Plate	—	—	1	
3	9003-002	Bearing, Radial	2	2	—	
4	6181-000	Spacer, Bearing	1	1	—	
5	6175-000	Spacer, Bearing Front	1	1	—	
6	9001-004	Washer, Thrust	1	1	—	
7	9002-004	Bearing, Front Thrust	1	1	—	
8	9001-003	Washer, Thrust (Thin)	1	1	—	
9	9070-007	Plug/O-ring S/A	2	—	—	
X	250003-910	O-ring (Ref. No. 9)	2	—	—	
X	13	9022-013	O-ring	4	4	(Note 1)
X	14	15042-000	O-ring	4	4	(Note 1)
15	8731-000	Retainer, Front	1	1	—	
†	16	15045-000	O-ring	1	1	—
†	17	9004-002	Ring, Quad	1	1	—
†	18	8732-000	Washer, Backup	1	1	—
†	19	6212-000	Seal, Dust	1	1	—
20	16292-100	Screw, Cap	8	8	—	
21	*	Drive, Main	1	1	1	
22	8958-000	Plate, Wear	1	1	—	
23	9001-002	Washer, Rear Thrust	1	1	—	
24	9002-003	Bearing, Rear Thrust	1	1	—	
25	*	Geroler	1	1	1	
27	8957-000	Plate, Valve	1	1	1	
	23864-000	Plate, Valve	—	—	1***	
28	6168-000	Drive, Valve	1	1	1	
X	30	6176-000	Seal, Outer Face	1	1	1
X	31	6177-000	Seal, Inner Face	1	1	1
32	6203-000	Spring, Compression	4	4	4	
33 and 34	21318-000	Balance Ring/Pin Assembly	1	1	1	
35	18026-000	Ball	2	2	2	
36	6464-000	Spring, Compression	2	2	2	
37	8350-000	Plug/O-ring S/A	2	2	2	
X	250003-903	O-ring (Ref. No. 37)	2	2	2	
38	9072-005	Plug/O-ring S/A	1	1	1	
X	250003-906	O-ring (Ref. No. 38)	1	1	1	

(Continued on Back Page)

(Continued from Previous Page)

Ref. No.	Part Number	Description	Quantity Per Unit		
			Standard	Wheel	Bearingless
39	6792-000	Valve	1	1	1
40	*	Screw, Cap (replaces and interchanges with studs)	4	4	4
41	16296-168	Ring, Retaining	—	—	1***
A	62506-000	Kit, Housing, Valve (1-5/16 O-ring Ports)	1	1	1
B	62505-000	Kit, Housing, Valve (1-1/4 Split Flange Ports)	1	1	1
C	62006-000	Kit, Housing, Bearing (Std. Motor)	1	—	—
D	62008-000	Kit, Housing, Bearing (Whl. Motor)	—	1	—
X	6405-000	Seal Kit, Motor (Contains Part Indicated by X)	1	1	1
†	6406-000	Seal Kit, Shaft (Contains Part Indicated by †)	1	1	—

\* See Chart on Page 2

\*\* With 8918-000 Flange, no Wear Plate (Ref. No. 22) is used and -004 Bearingless Motor bolt length is required.

\*\*\* 940 cm<sup>3</sup>/r [57.4 in<sup>3</sup>/r] Bearingless motor only.

Note 1: The -002 and -003 Bearingless motors use 4 O-rings while -004 motor uses 3 O-rings.

Note 2: DO NOT use spacer with current replacement shafts (Ref. No. 1). Motors with this shaft spacer (6171-000) will still have to be reassembled with spacer unless the shaft was damaged and must be replaced.

### Product Numbers—10,000 Series Motors

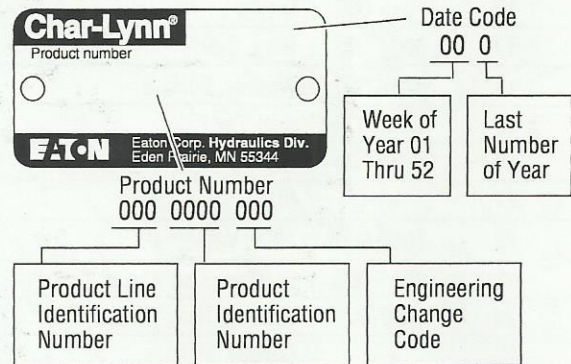
Mounting	Shaft	Ports	Displ. cm <sup>3</sup> /r [in <sup>3</sup> /r] Product Number			
			345 [21.0]	480 [29.3]	665 [40.6]	940 [57.4]
Standard	2-1/4 in. Straight	1-5/16 O-ring	119-1028	-1029	-1030	-1031
		1-1/4 Split Flange	119-1040	-1041	-1042	-1043
	2-1/8 Inch 16 T Splined	1-5/16 O-ring	119-1032	-1033	-1034	-1035
		1-1/4 Split Flange	119-1044	-1045	-1046	-1047
	2-1/4 Inch Tapered	1-5/16 O-ring	119-1036	-1037	-1038	-1039
		1-1/4 Split Flange	119-1048	-1049	-1050	-1051
Wheel Motor	2-1/4 in. Straight	1-5/16 O-ring	120-1005	-1006	-1007	-1008
		1-1/4 Split Flange	120-1017	-1018	-1019	-1020
	2-1/8 Inch 16 T Splined	1-5/16 O-ring	120-1009	-1010	-1011	-1012
		1-1/4 Split Flange	120-1021	-1022	-1023	-1024
Bearingless	2-1/4 Inch Tapered	1-5/16 O-ring	120-1013	-1014	-1015	-1016
		1-1/4 Split Flange	120-1025	-1026	-1027	-1028
	1-5/16 O-ring	121-1007	-1008	-1009	-1010	
		1-1/4 Split Flange	121-1011	-1012	-1013	-1014

121-1013

### How to Order Replacement Parts

#### Each Order Must Include the Following:

1. Product Number
2. Date Code
3. Part Name
4. Part Number
5. Quantity of Parts



Eaton Corporation  
**Hydraulics Division**  
 15151 Hwy. 5  
 Eden Prairie, MN 55344  
 Telephone 612/937-9800  
 Fax 612/937-7130

Eaton Ltd.  
**Hydraulics Division**  
 Glenrothes Fife  
 Scotland, KY7 4NW  
 Telephone 01-592-771-771  
 Fax 01-592-773-184

Eaton GmbH  
**Hydraulics Products**  
 Am Schimmersfeld 7  
 40880 Ratingen, Germany  
 Telephone 02102-406-830  
 Fax 02102-406-800



**Quality System Certified**  
 Products in this catalog are manufactured in an ISO-9001-certified site.