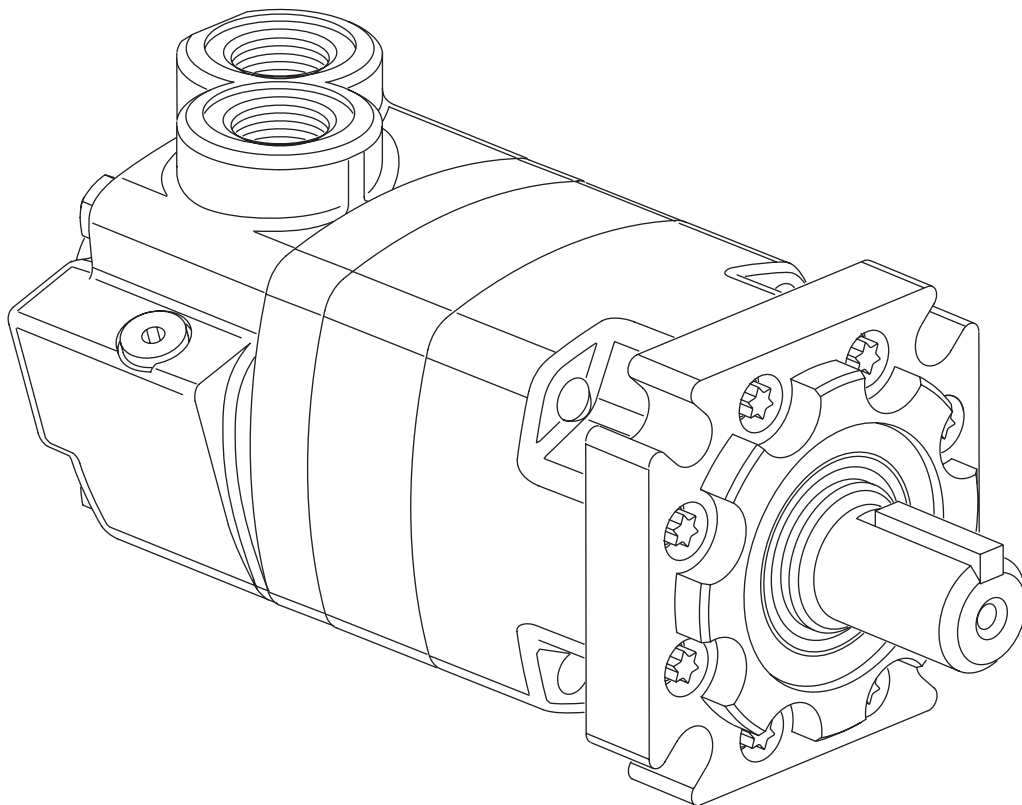


Char-Lynn®

Disc Valve Motor



Parts Information



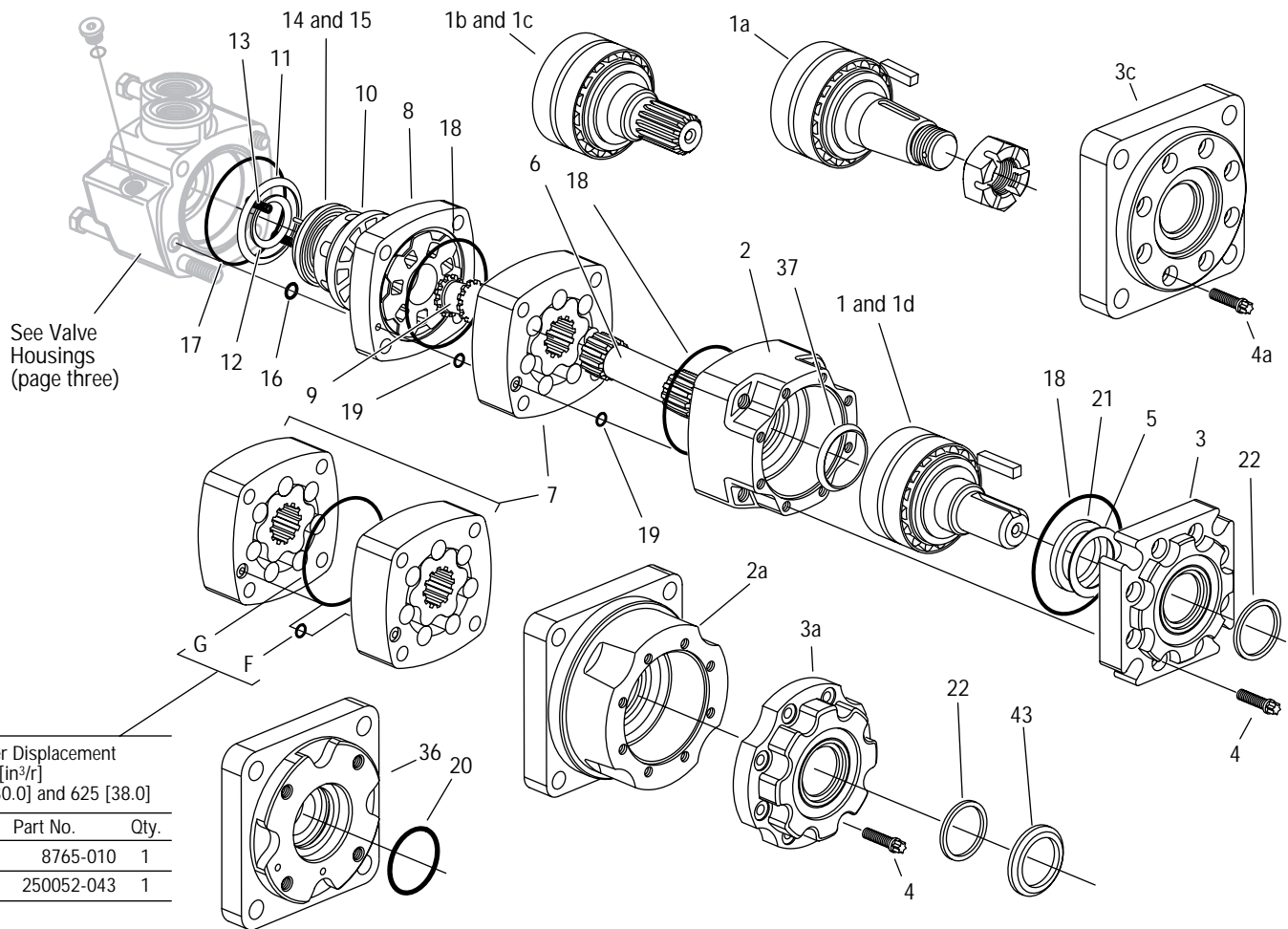
4000 Series
Geroler® Motors

Std., Whl. and Brgl. **-004** Std. and Whl. **-006**

4000 Series Char-Lynn Motors



Displacement cm ³ /r [in ³ /r]	Drive, Main Item No. 6—Part No./Length		Geroler® Item No. 7—Part No./Width	
	006/004	mm [inch]	006/004	mm [inch]
110 [6.7]	21372-001	88,6 [3.49]	8464-001	21,7 [.85]
130 [7.9]	21372-002	93,0 [3.66]	8464-002	25,7 [1.01]
160 [9.9]	21372-003	98,5 [3.88]	8464-003	32,1 [1.26]
205 [12.5]	21372-004	107,2 [4.22]	8464-004	40,6 [1.60]
245 [15.0]	21372-003	98,5 [3.88]	8464-005	32,1 [1.26]
310 [19.0]	21372-004	107,2 [4.22]	8464-006	40,6 [1.60]
395 [24.0]	21372-005	118,1 [4.65]	8464-007	51,3 [2.02]
495 [30.0]	21372-007	129,9 [5.11]	8464-010	64,1 [2.52]
625 [38.0]	21372-008	147,9 [5.82]	8464-011	81,2 [3.20]

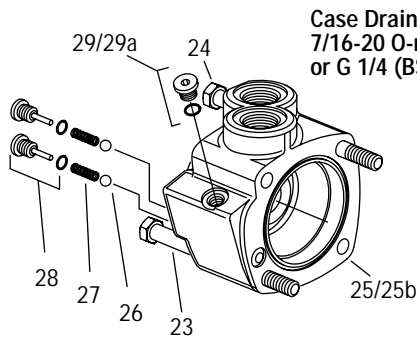


Item No.	006 Part Number	004 Part Number	Description	Quantity per Unit		
				Std.	Whl.	Brgl.
1	23310-001	8709-001	Shaft and Bearing Kit (1-1/4 inch Straight)	1	1	
	14392-011	14392-011	Key (for 1-1/4 Straight Shaft)	1	1	
1a	23310-002	8709-002	Shaft and Bearing Kit (1-5/8 in. Tapered)	1	1	
	14230-000	14230-000	Nut, Hex (1-5/8 in. Tapered Shaft)	1	1	
	14394-007	14394-007	Key (for 1-5/8 in. Tapered Shaft)	1	1	
1b	23310-003	8709-003	Shaft and Bearing Kit (1-1/4 in. Splined 14T)	1	1	
1c	23310-009	8709-009	Shaft and Bearing Kit (1-1/2 in. Splined 17T)	1	1	
1d	23310-010	8709-010	Shaft and Bearing Kit (40 mm Straight)	1	1	
	14458-007	14458-007	Key (for 40mm Straight Shaft)	1	1	

4000 Series Char-Lynn Motors

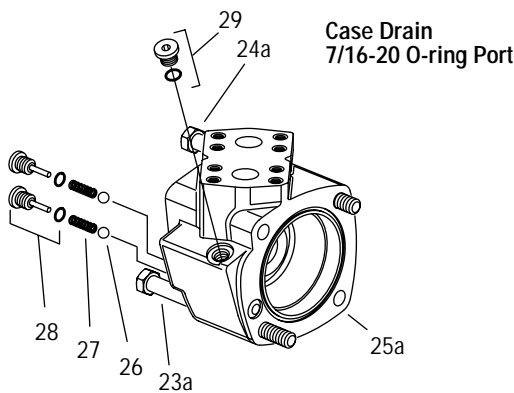


1-1/16-12 O-ring Ports or G 3/4 (BSP) Ports



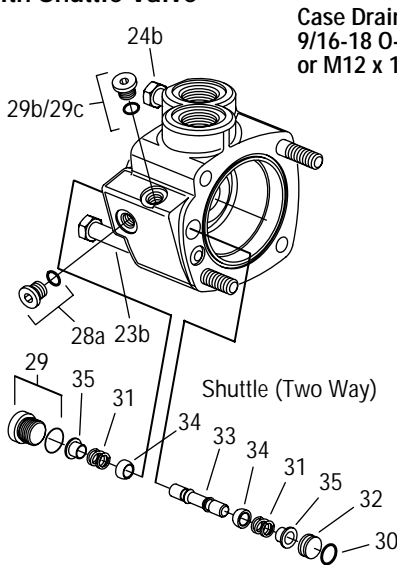
Displacement cm ³ /r [in ³ /r]	Screw, Cap Qty. 3 Item No. 23—Part No./Length		Screw, Cap Qty. 1 Item No. 24—Part No./Length	
	006/004	mm [in.]	006/004	mm [in.]
110 [6.7]	14386-003	119,4 [4.70]	14386-005	132,1 [5.20]
130 [7.9]	14386-004	125,7 [4.95]	14386-006	138,4 [5.45]
160 [9.9]	14386-005	132,1 [5.20]	14386-007	144,8 [5.70]
205 [12.5]	14386-007	144,8 [5.70]	14386-009	156,5 [6.16]
245 [15.0]	14386-005	132,1 [5.20]	14386-007	144,8 [5.70]
310 [19.0]	14386-007	144,8 [5.70]	14386-009	156,5 [6.16]
395 [24.0]	14386-008	151,1 [5.95]	14386-010	162,8 [6.41]
495 [30.0]	14386-010	162,8 [6.41]	14386-011	175,5 [6.91]
625 [38.0]	14386-012	181,9 [7.16]	14386-013	193,7 [7.62]

4 Bolt 3/4 Inch Split Flange Ports



Displacement cm ³ /r [in ³ /r]	Screw, Cap Qty. 2 Item No. 23a—Part No./Length		Screw, Cap Qty. 2 Item No. 24a—Part No./Length	
	006/004	mm [in.]	006/004	mm [in.]
110 [6.7]	14386-004	125,7 [4.95]	14386-009	156,5 [6.16]
130 [7.9]	14386-004	125,7 [4.95]	14386-009	156,5 [6.16]
160 [9.9]	14386-005	132,1 [5.20]	14386-010	162,8 [6.41]
205 [12.5]	14386-007	144,8 [5.70]	14386-011	175,5 [6.91]
245 [15.0]	14386-005	132,1 [5.20]	14386-010	162,8 [6.41]
310 [19.0]	14386-007	144,8 [5.70]	14386-011	175,5 [6.91]
395 [24.0]	14386-008	151,1 [5.95]	14386-012	181,9 [7.16]
495 [30.0]	—	—	—	—
625 [38.0]	—	—	—	—

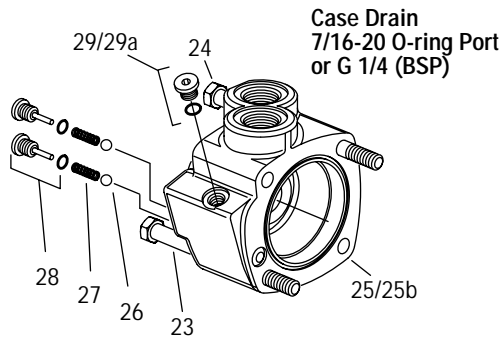
7/8-14 O-ring Ports or M22 x 1,5-6H Ports with Shuttle Valve



Displacement cm ³ /r [in ³ /r]	Screw, Cap Qty. 3 Item No. 23b—Part No./Length		Screw, Cap Qty. 1 Item No. 24b—Part No./Length	
	006/004	mm [in.]	006/004	mm [in.]
110 [6.7]	14386-003	119,4 [4.70]	14386-004	125,7 [4.95]
130 [7.9]	14386-004	125,7 [4.95]	14386-005	132,1 [5.20]
160 [9.9]	14386-005	132,1 [5.20]	14386-006	138,4 [5.45]
205 [12.5]	14386-007	144,8 [5.70]	14386-008	151,1 [5.95]
245 [15.0]	14386-005	132,1 [5.20]	14386-006	138,4 [5.45]
310 [19.0]	14386-006	138,4 [5.45]	14386-007	144,8 [5.70]
395 [24.0]	14386-008	151,1 [5.95]	14386-009	156,5 [6.16]
495 [30.0]	14386-010	162,8 [6.41]	14386-011	175,5 [6.91]
625 [38.0]	—	—	—	—

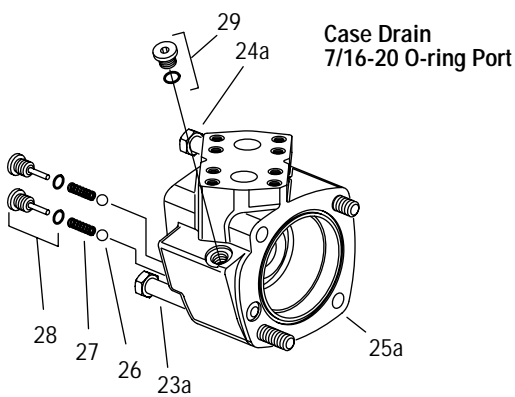
Item No.	006 Part Number	004 Part Number	Description	Quantity per Unit		
				Std.	Whl.	Brgl.
2	23170-002	8487-000	Housing, Bearing	1		
2a	23170-004	8488-000	Housing, Bearing, Wheel Mount		1	
3	23171-002	8559-000	Flange, Mounting, SAE B	1		
3a	23171-005	8558-000	Retainer, Front — for Wheel Mount Bearing Housing		1	
3c	23171-003	21404-000	Flange, Mounting, SAE C	1		

1-1/16-12 O-ring Ports or G 3/4 (BSP) Ports



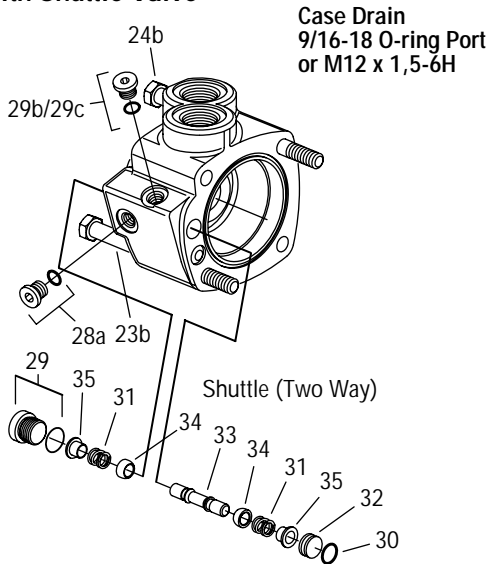
Displacement cm ³ /r [in ³ /r]	Screw, Cap Qty. 3 Item No. 23—Part No./Length		Screw, Cap Qty 1 Item No. 24—Part No./Length	
	006/004	mm [in.]	006/004	mm [in.]
110 [6.7]	14386-003	119,4 [4.70]	14386-005	132,1 [5.20]
130 [7.9]	14386-004	125,7 [4.95]	14386-006	138,4 [5.45]
160 [9.9]	14386-005	132,1 [5.20]	14386-007	144,8 [5.70]
205 [12.5]	14386-007	144,8 [5.70]	14386-009	156,5 [6.16]
245 [15.0]	14386-005	132,1 [5.20]	14386-007	144,8 [5.70]
310 [19.0]	14386-007	144,8 [5.70]	14386-009	156,5 [6.16]
395 [24.0]	14386-008	151,1 [5.95]	14386-010	162,8 [6.41]
495 [30.0]	14386-010	162,8 [6.41]	14386-011	175,5 [6.91]
625 [38.0]	14386-012	181,9 [7.16]	14386-013	193,7 [7.62]

4 Bolt 3/4 Inch Split Flange Ports



Displacement cm ³ /r [in ³ /r]	Screw, Cap Qty. 2 Item No. 23a—Part No./Length		Screw, Cap Qty. 2 Item No. 24a—Part No./Length	
	006/004	mm [in.]	006/004	mm [in.]
110 [6.7]	14386-004	125,7 [4.95]	14386-009	156,5 [6.16]
130 [7.9]	14386-004	125,7 [4.95]	14386-009	156,5 [6.16]
160 [9.9]	14386-005	132,1 [5.20]	14386-010	162,8 [6.41]
205 [12.5]	14386-007	144,8 [5.70]	14386-011	175,5 [6.91]
245 [15.0]	14386-005	132,1 [5.20]	14386-010	162,8 [6.41]
310 [19.0]	14386-007	144,8 [5.70]	14386-011	175,5 [6.91]
395 [24.0]	14386-008	151,1 [5.95]	14386-012	181,9 [7.16]
495 [30.0]	—	—	—	—
625 [38.0]	—	—	—	—

7/8-14 O-ring Ports or M22 x 1,5-6H Ports with Shuttle Valve



Displacement cm ³ /r [in ³ /r]	Screw, Cap Qty. 3 Item No. 23b—Part No./Length		Screw, Cap Qty. 1 Item No. 24b—Part No./Length	
	006/004	mm [in.]	006/004	mm [in.]
110 [6.7]	14386-003	119,4 [4.70]	14386-004	125,7 [4.95]
130 [7.9]	14386-004	125,7 [4.95]	14386-005	132,1 [5.20]
160 [9.9]	14386-005	132,1 [5.20]	14386-006	138,4 [5.45]
205 [12.5]	14386-007	144,8 [5.70]	14386-008	151,1 [5.95]
245 [15.0]	14386-005	132,1 [5.20]	14386-006	138,4 [5.45]
310 [19.0]	14386-006	138,4 [5.45]	14386-007	144,8 [5.70]
395 [24.0]	14386-008	151,1 [5.95]	14386-009	156,5 [6.16]
495 [30.0]	14386-010	162,8 [6.41]	14386-011	175,5 [6.91]
625 [38.0]	—	—	—	—

Item No.	006 Part Number	004 Part Number	Description	Quantity per Unit		
				Std.	Whl.	Brgl.
2	23170-002	8487-000	Housing, Bearing	1		
2a	23170-004	8488-000	Housing, Bearing, Wheel Mount		1	
3	23171-002	8559-000	Flange, Mounting, SAE B	1		
3a	23171-005	8558-000	Retainer, Front — for Wheel Mount Bearing Housing		1	
3c	23171-003	21404-000	Flange, Mounting, SAE C	1		

Continued from page 3 and 4

Item No.	006 Part Number	004 Part Number	Description	Quantity per Unit		
				Std.	Whl.	Brgl.
4	16292-100	16292-100**	Screw, Cap (6 Point (E10) Drive 5/16-24 UNF x 1.00)	8	8	
4a	16292-162	16292-162**	Screw, Cap (6 Point (E10) Drive 5/16-24 UNF x 1.62)	8		
† 5	6943-000	6943-000	Ring, Back-up	1	1	1
6	*	*	Drive, Main	1	1	1
7	*	*	Geroler®	1	1	1
8	8504-000	8504-000	Plate, Valve	1	1	1
9	8510-000	8510-000	Drive, Valve	1	1	1
10	8500-000	8500-000	Valve	1	1	1
OX 11	6962-000	6962-000	Seal, Face, Outer	1	1	1
OX 12	6961-000	6961-000	Seal, Face, Inner	1	1	1
13	6203-000	6203-000	Spring, Compression	2	2	2
14/15	21316-000	21316-000	Balance Ring and Pins	1	1	1
OX 16	15006-000	15006-000	Seal	1	1	1
OX 17	112530-042	112530-042	Seal	1	1	1
X† 18	112530-043	112530-043	Seal	3	3	2
OX 19	8765-010	8765-010	Seal	2	2	2
20	15128-000	15128-000	Seal			1
† 21	9057-012	9057-012	Seal, Shaft	1	1	
† 22	9031-001	9031-001	Seal, Dust	1	1	
23	*	*	Screw, Cap	A/R	A/R	A/R
24	*	*	Screw, Cap	A/R	A/R	A/R
25	23382-003	23382-003	Housing, Valve (1-1/16 Str. Thrd. O-ring Ports)	1	1	1
25a	23382-002	23382-002	Housing, Valve (3/4 in. Split Flange)	1	1	1
25b	23382-006	23382-006	Housing, Valve (G 3/4 (BSP) Ports)	1	1	1
25c	8564-000	8564-000	Housing, Valve for Shuttle Valve (7/8-14 Ports)	1	1	1
25d	22939-000	22939-000	Housing, Valve for Shuttle Valve (M22 x 1,5 Ports)	1	1	1
26	18026-000	18026-000	Ball, Steel	2	2	2
27	6464-000	6464-000	Spring, Compression	2	2	2
28	8350-000	8350-000	Check Plug/O-ring Assembly	2	2	2
OX	250003-903	250003-903	O-ring	2	2	2
28a	9072-002	9072-002	Plug/O-ring Assembly (3/8-24)	2	2	2
	250003-903	250003-903	O-ring	2	2	2
29	9072-003	9072-003	Plug/O-ring Assembly (7/16-20 Case Drain Plug)	1	1	1
OX	250003-904	250003-904	O-ring	1	1	1
29a	9170-002	9170-002	Plug/O-ring Assembly (G 1/4 (BSP) Case Drain Plug)	1	1	1
OX	250003-904	250003-904	O-ring	1	1	1
29b	9072-005	9072-005	Plug/O-ring Assembly (9/16-18 Case Drain Plug)	1	1	1
	250003-906	250003-906	O-ring	1	1	1
29c	N/R	N/R	Plug/O-ring Assembly (M12 x 1,5-6H Case Drain Plug)	1	1	1
30	8568-001	8568-001	Plug	1	1	1
31	230079-000	230079-000	Spring	2	2	2
32	250002-012	250002-012	Seal	1	1	1
33	8566-000	8566-000	Piston	1	1	1
34	8567-000	8567-000	Poppet	2	2	2
35	8755-000	8755-000	Sleeve Dash Pot	2	2	2
36	8491-000	8491-000	Flange, Mounting			1
†37	6993-000	9079-001	Seal, Shaft Face	1	1	
43	14628-004	14628-004	Guard, Seal		1	
	61234-000	61234-000	Seal Kit, Rear (Std. and Whl. Motors)—Contains Parts Indicated by X			
	61281-000	61236-000	Seal Kit, Shaft (Std. and Whl. Motors)—Contains Parts Indicated by †			
		61235-000	Seal Kit, (Bearingless Motor Only)—Contains Parts Indicated by O			
		61249-000	Seal Kit, Viton*** (Bearingless Motor Only)—Contains Parts Indicated by O			
	61282-000	61248-000	Seal Kit, Viton*** (Std. and Whl. Motors)—Contains Parts Indicated by † and X			
	61290-000		Seal Kit, (Whl. Motors with Special Tapered Shaft for Seal Guard — Shaft End Only)			

4000 Series

Housing, Valve, Does NOT Include Parts, Items 26 thru 29

A/R— As required (see chart page 4). N/R— Not required (motors with shuttle valve). Viton® is a registered trade name of Dupont Corporation.
 *—See chart on opposite page. **—Original (-004) cap screw (12 point drive) replacement will be with this external 6 point (E10) drive cap screw.
 ***—Viton seal part numbers differ from part numbers shown above. Note: Back-up Ring Item 5 is not used with Viton shaft seal item 21.

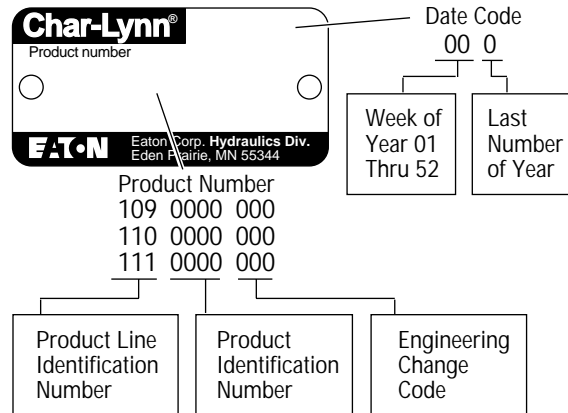
How to Order Replacement Parts

Each Order Must Include the Following:

1. Product Number
2. Date Code
3. Part Name
4. Part Number
5. Quantity of Parts

For more detailed information contact Eaton Hydraulics
14615 Lone Oak Road Eden Prairie, MN 55344.

- Specifications and performance data, Catalog No. 11-878.
- When servicing 4000 Series Motors refer to Repair Information No. 7-118. This repair manual lists tools required, and step by step disassembly and reassembly procedures.



Product Numbers—4000 Series Motors

Use digit prefix —**109-**, **110-**, or **111-** plus four digit number from charts for complete product number—Example **111-1057**.
Orders will not be accepted without three digit prefix.

Mounting	Shaft	Ports	Displ. cm ³ /r [in ³ /r] Product Number								
			110 [6.7]	130 [7.9]	160 [9.9]	205 [12.5]	245 [15.0]	310 [19.0]	395 [24.0]	495 [30.0]	625 [38.0]
Standard SAE B-Mount	1-1/4 inch Straight	1-1/16 O-ring	109-1100	-1101	-1102	-1103	-1104	-1105	-1106	-1212	-1215
		3/4 inch Split Flange	109-1001	-1054	-1002	-1003	-1055	-1056	-1057	—	—
	1-5/8 Inch Tapered	1-1/16 O-ring	109-1107	-1108	-1109	-1110	-1111	-1112	-1113	—	—
		3/4 inch Split Flange	109-1006	-1058	-1007	-1008	-1059	-1060	-1061	—	—
	1-1/4 Inch 14 T Splined	1-1/16 O-ring	109-1114	-1115	-1116	-1117	-1118	-1119	-1120	—	—
		3/4 inch Split Flange	109-1011	-1062	-1012	-1013	-1063	-1064	-1065	—	—
Standard SAE C-Mount	40 mm Straight	G 3/4 (BSP)	109-1184	-1185	-1227	-1224	-1225	-1189	-1190	—	—
	1-1/2 Inch 17 T Splined	G 3/4 (BSP)	109-1191	-1192	-1193	-1194	-1195	-1196	-1197	—	—
Wheel Motor	1-1/4 inch Straight	1-1/16 O-ring	110-1074	-1075	-1076	-1077	-1078	-1079	-1080	—	-1122
		3/4 inch Split Flange	110-1001	-1040	-1002	-1003	-1041	-1042	-1043	—	—
	40 mm Straight	G 3/4 (BSP)	110-1108	-1109	-1110	-1111	-1112	-1113	-1125	—	—
	1-5/8 Inch Tapered	1-1/16 O-ring	110-1081	-1082	-1083	-1084	-1085	-1086	-1087	1116	-1117
		3/4 inch Split Flange	110-1006	-1044	-1007	-1008	-1045	-1046	-1047	—	—
	1-1/4 Inch 14 T Splined	1-1/16 O-ring	110-1088	-1089	-1090	-1091	-1092	-1093	-1094	—	—
3/4 inch Split Flange		110-1011	-1048	-1012	-1013	-1049	-1050	-1051	—	—	
Bearingless		1-1/16 O-ring	111-1033	-1034	-1035	-1036	-1037	-1038	-1039	-1062	-1063
		3/4 inch Split Flange	111-1044	-1015	-1045	-1046	-1016	-1017	-1018	—	—
		G 3/4 (BSP)	111-1052	-1053	-1054	-1055	-1056	-1057	-1058	—	—

111-1057

Notes: _____

Eaton
Fluid Power Group
Hydraulics Business USA
14615 Lone Oak Road
Eden Prairie, MN 55344
USA
Tel: 952-937-9800
Fax: 952-294-7722
www.eaton.com/hydraulics

Eaton
Fluid Power Group
Hydraulics Business Europe
Route de la Longeraie 7
1110 Morges
Switzerland
Tel: +41 (0) 21 811 4600
Fax: +41 (0) 21 811 4601

Eaton
Fluid Power Group
Hydraulics Business Asia Pacific
11th Floor Hong Kong New World Tower
300 Huaihai Zhong Road
Shanghai 200021
China
Tel: 86-21-6387-9988
Fax: 86-21-6335-3912